

EQUIPMENT LIST

COMFORT		INTERIOR		EXTERIOR	
Heater	0	MP3/CD Player & Tuner	0	Green tinted glass	0
Air-conditioner	0	Cabin light (3 position)	0	Semi-concealed 2 speed	
Radio antenna	0	Sunvisor both sides	0	intermittent wipers	0
Childproof rear door locks	0	Seat belts (Front)	0	Rear window defogger	0
		Material of front & rear seats	Fabric	Side protective mouldings	0
		Reclining & sliding front seats	0	Wheel covers	Full
		Folding rear seat	0	Coloured bumpers	0
		Floor carpet	0	Blue tinted head lamps	0
		Luggage compartment carpet	0		
		Front door pockets (both sides)	0		
		Door trim	Partial Fabric		
		Centre console	0		
		Assist grips	3		
		Remote back door opener	0		
		Remote fuel lid opener	0		

INSTRUMENT PANEL

Key/Light warning buzzer	0
Tachometer	0
Trip meter	0
Cigarette lighter	0
Cup holder	0

SPECIFICATIONS

DIMENSIONS		ENGINE		CHASSIS	
Overall length (mm)	3845	Type	New G10B EFI	Suspension (Front)	Macpherson strut, coil spring independent
Overall width (mm)	1590	Cylinders	4	Suspension (Rear)	Strut, coil spring independent
Overall height (mm)	1380	Piston displacement (cc)	993cc	Brakes front	Disc
Wheelbase (mm)	2365	Bore x stroke (mm)	72.0 x 61.0	Brakes rear	Drum
Tread Front (mm)	1365	Compression ratio	9.3 : 1	Steering	Rack & pinion
Tread Rear (mm)	1340	Max. output (kW/rpm)	45/6,000	Tyre size (Radial)	155/80R 13 78S
Min. turning radius (m)	4.8	Max. torque (Nm)/rpm	78/4,500		
Ground clearance (mm)	170				
		TRANSMISSION			
		Type	5-speed All synchromesh	CAPACITY	
				Fuel tank	40 L
				Gas Cylinder (CNG)	55 L

PAK SUZUKI MOTOR CO. LTD.

Marketing Division Karachi:
DSU-13, Pak Steel Industrial Estate,
Bin Qasim, Karachi.
Call Centre: 111-SUZUKI (111-789-854)
Fax: 34723521-23
E-mail: marketing@paksuzuki.com.pk
Website: www.paksuzuki.com.pk

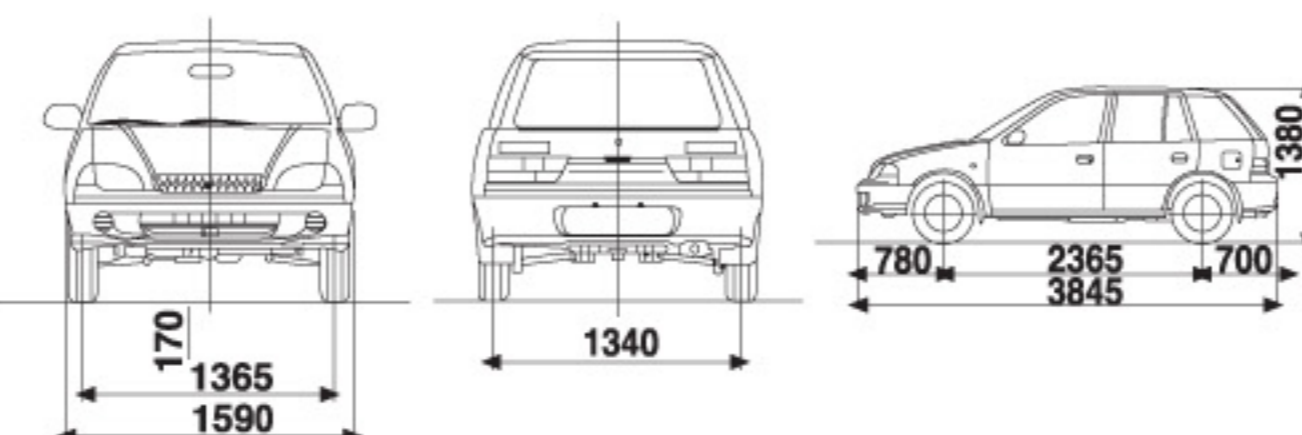
Rawalpindi Area Office:
20, Services Plaza,
Rawalpindi Club Bldg.,
The Mall, Rawalpindi.
Tel: 5567518, 5518073,
5790539
Fax: 5585738

Lahore Area Office:
7-A, Canal Bank Road,
Aziz Avenue, Gulberg-5,
Lahore.
Tel: 35759008, 35756002
Fax: 35751953

Multan Area Office:
1812, Khanewal Road, Opp.
Ali Raza CNG Station,
Multan.
Tel: 4516765, 4781127
4589849
Fax: 4581126

Dealer:

PAK SUZUKI MOTOR CO. LTD. reserves the right to change without notice, prices, colours, materials and models.



Way of Life!

CULTUS

Drive The Executive Way....
With An Upgraded Look!



PAK SUZUKI MOTOR CO. LTD.

CULTUS EFi



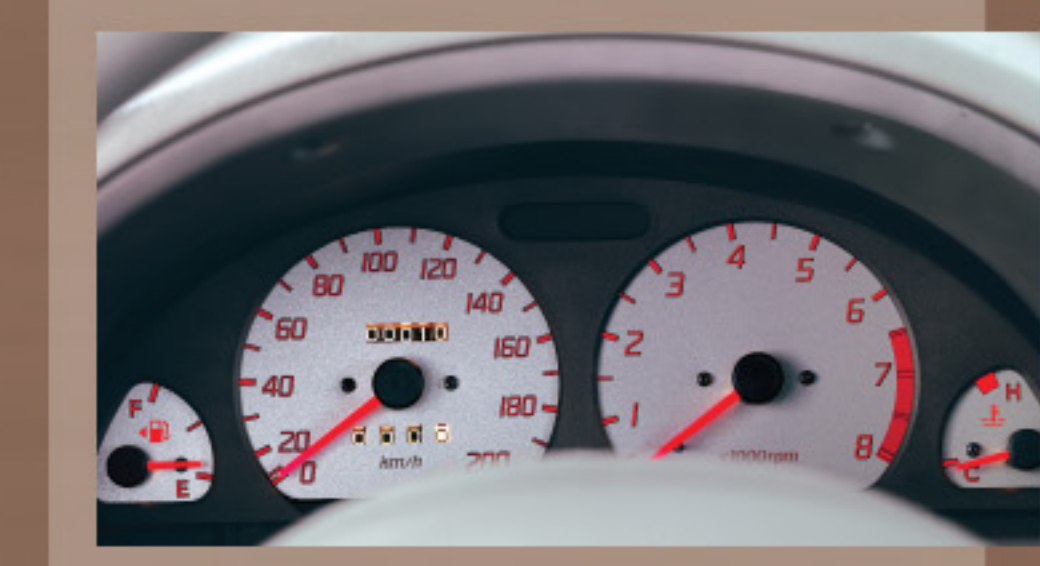
Comfortable Interior



Ergonomically Designed Instrument Panel With Silver Garnish

Elegant Eye Soothing Interior

The cozy new seat upholstery along with silver garnish paneling surrounds you in a relaxing ambience. The speedometer and MP3/CD Player & Tuner enhances the driving pleasure.



Stylish Speedometer



MP3/CD Player & Tuner

New, Sleek & Stylish Exterior

The bold and elegant front grille, trendy rear combination lamps with garnish marks, sets the new upgraded Cultus and you apart from the rest.



New Bold Front Grille



Trendy Rear Combination Lamps With Integrated Garnish

Factory - Fitted CNG Kit

The electronically synchronized factory-fitted CNG kit ensures greater economy and is environment friendly.



Electronically Synchronized CNG Kit

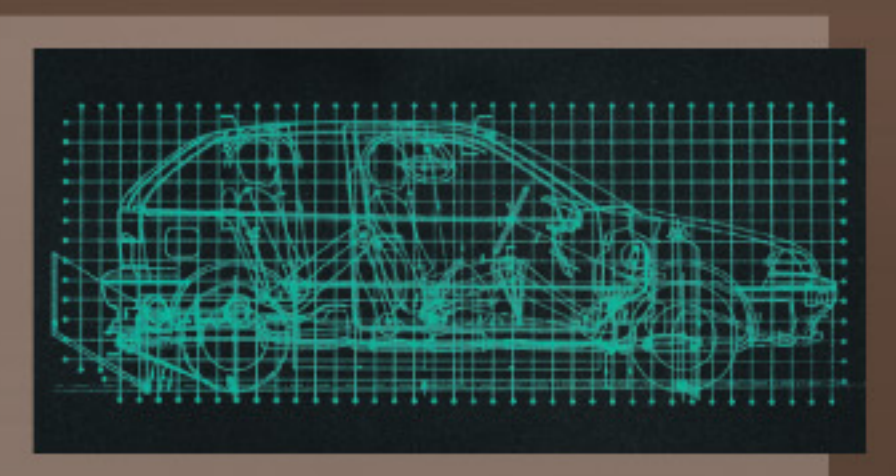


Optimized Cylinder Capacity for Longer Run on CNG. Fine Rear Combination Garnish



4 Cylinder 16 Valve EFi Engine

The advanced Suzuki 4 cylinder EFi Engine gives you more power, comfortable noise free drive and maximized fuel efficiency.



CAD Technology for Optimum Performance

CAD (Computer Aided Design) techniques make the monocoque body light, strong and resistant to twisting.